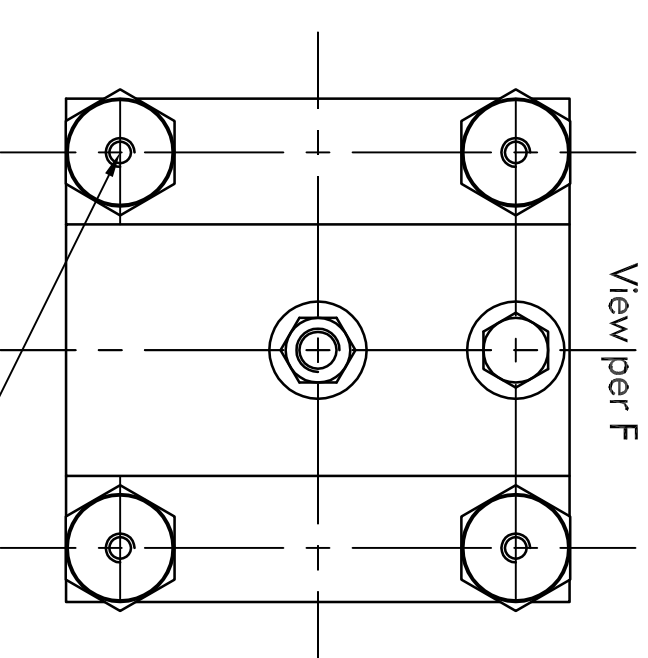
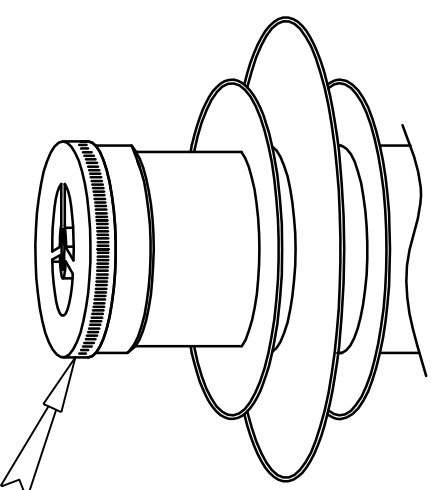
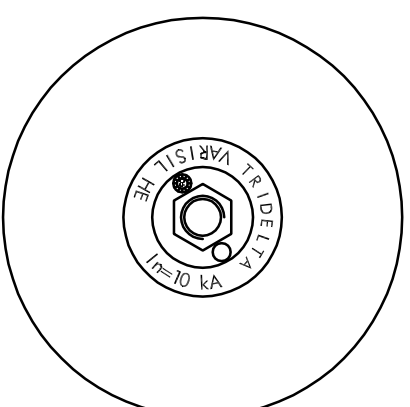


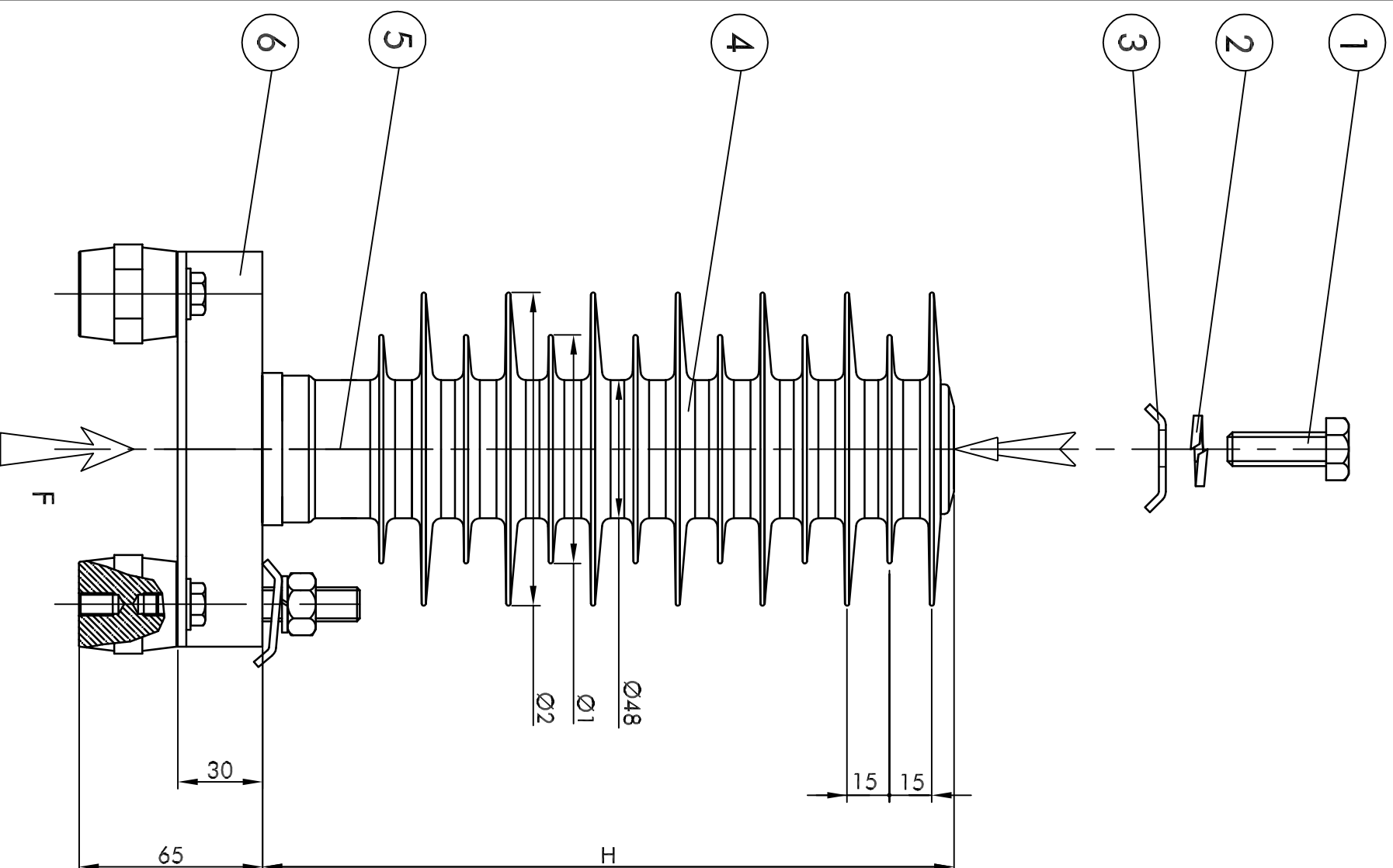
" XX "	05	06	09	10	12	15	18	21	24	27	30	33	36	36/R
" Ur "	5	6	9	10	12	15	18	21	24	27	30	33	36	36
" Uc "	4.25	5.1	7.65	8.4	10.2	12.7	15.3	17.5	20	22.5	25	27.5	30	30
"DD/MM/YY"	Day/Month/Year of manufacture													
H (mm)	165	205	245	245	245	245	245	245	245	245	245	245	245	245
Ø1 (mm)	74	79	79	79	79	79	79	79	79	79	79	79	79	79
Ø2 (mm)	104	109	109	109	109	109	109	109	109	109	109	109	109	109
Weight (kg)	1.7	1.7	1.9	1.9	2.0	2.1	2.3	2.4	2.7	3.2	3.3	3.5	3.6	3.9

Ref.	DESCRIPTION	Material / Type
①	HM12-35 bolt	Stainless steel
②	WZ12 spring washer	Stainless steel
③	Connecting clamp	Stainless steel
④	VARISIL Type HE surge arrester	Silicone rubber housed gapless metal oxide
⑤	Ground end terminal assembly	Stainless steel
⑥	Insulated pedestal	Stainless steel / Polyester



HE XX - Ur= \_ \_ kV - Uc= \_ \_ kV -  
LDC1 - Is=20 kA - f=50/60 Hz \_ \_ DD/MM/YY

4 threaded holes  
M8 x 10 on 110 x 110



Ce plan est propriété de TRIDELTA Parafoudres SA. Il ne peut être ni reproduit ni communiqué sans autorisation préalable.		Accessibilité du plan: Confidentiel..... <input type="checkbox"/> Libre..... <input checked="" type="checkbox"/>	
Modification:		Dessinateur: HS    Date:    Vérification:	
Tolérances générales:			
Matière:			
Traitement:			
Echelle:		Dessinateur: HS    Date: 15/12/06    Vérification:	
Range of VARISIL Type HE Polymer Housed Surge Arresters fitted with "ip2" option			
A3		TPF    W 8997 19 97/E	
Folio : 1 / 1		Ind : 02	

