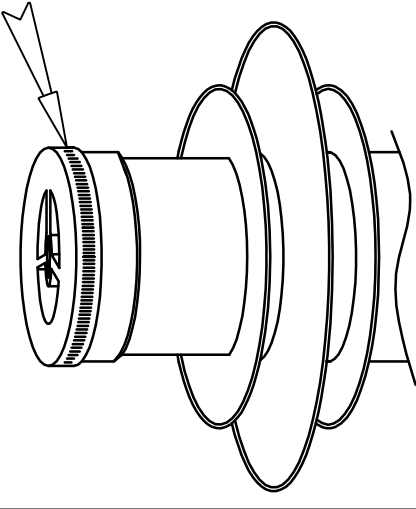
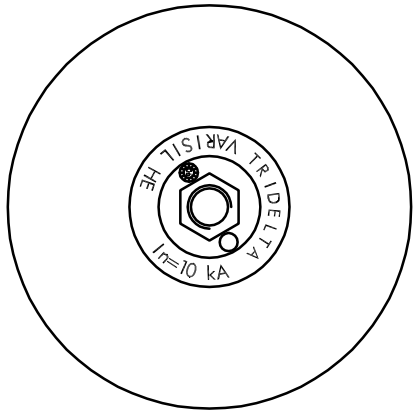


Ref.	DESCRIPTION	Material / Type
①	HM12-35 bolt	Stainless steel
②	WZ12 spring washer	Stainless steel
③	Connecting clamp	Stainless steel
④	VARISIL Type HE surge arrester	Silicone rubber housed gapless metal oxide
⑤	M12 flat washer	Stainless steel

"XX"	05	06	09	10	12	15	18	21	24	27	30	33	36	36/R
"Ur"	5	6	9	10	12	15	18	21	24	27	30	33	36	36
"Uc"	4.25	5.1	7.65	8.4	10.2	12.7	15.3	17.5	20	22.5	25	27.5		30
"DD/MM/YY"	Day/Month/Year of manufacture													
H (mm)	165					205		245			325			365
Ø1 (mm)	74					79		79			84			84
Ø2 (mm)	104					109		109			114			114
Weight (kg)	1.0	1.0	1.2	1.2	1.3	1.6	1.7	2.0	2.1	2.5	2.6	2.8	2.9	3.2



HE XX - Ur= _ _ kV - Uc= _ _ kV - LDC1 - Is=20 kA - f=50/60 Hz _ _ DD/MM/YY

Ce plan est propriété de TRIDELTA Parafoudres SA. Il ne peut être ni reproduit ni communiqué sans autorisation préalable.		Accessibilité du plan: Confidentiel..... <input type="checkbox"/> Libre..... <input checked="" type="checkbox"/>	
Modification:		Dessinateur: _____ Date: _____	
Tolérances générales:		Vérification: _____	
Matière:			
Traitement:			
Echelle: _____		Dessinateur: HS Date: 29/09/05	
Range of VARISIL Type HE Polymer Housed Surge Arresters fitted with NO option		Vérification: _____	
A3 TPF W 8997 12 99/E			
Folio : 1 / 1		Ind : 02	