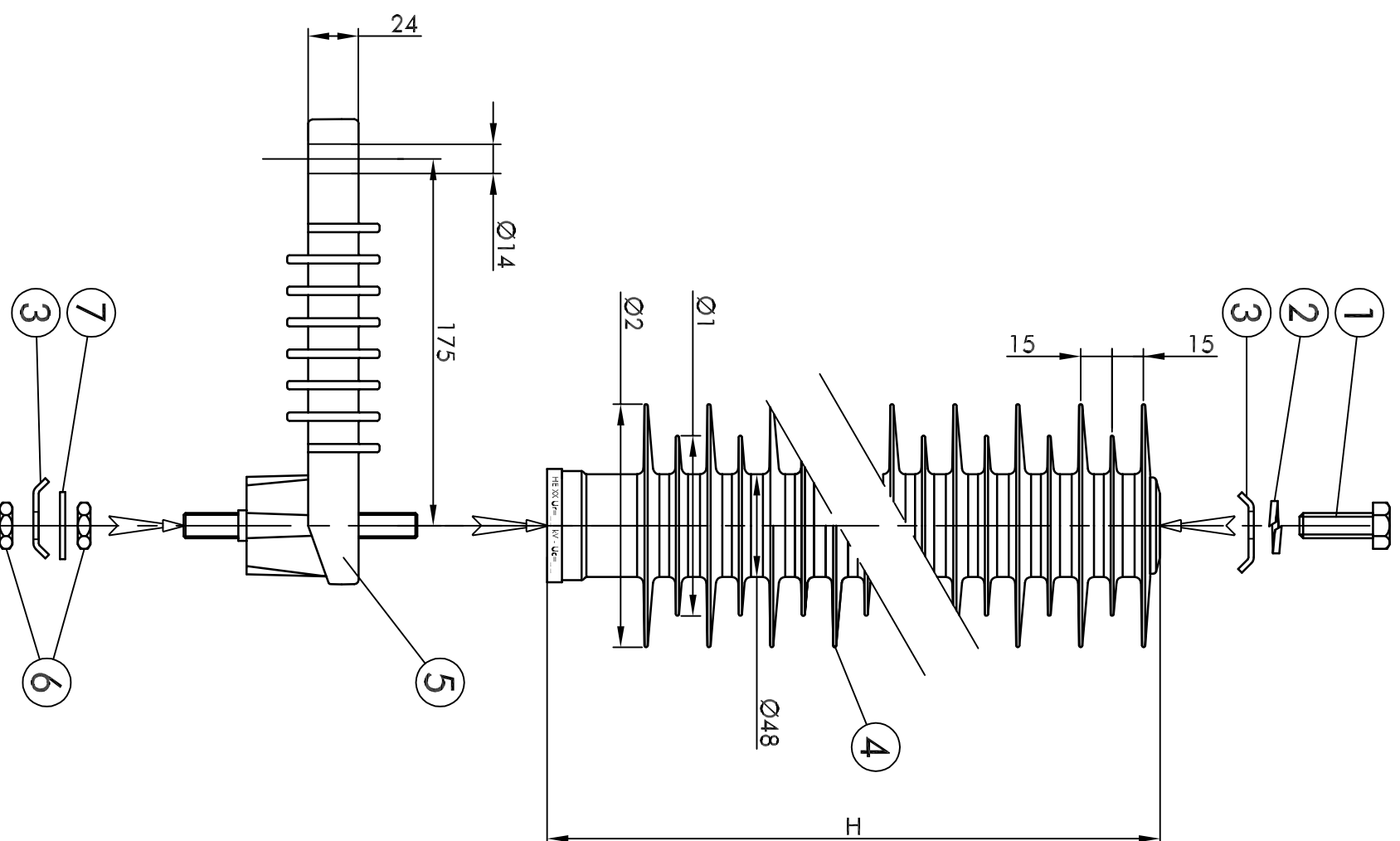
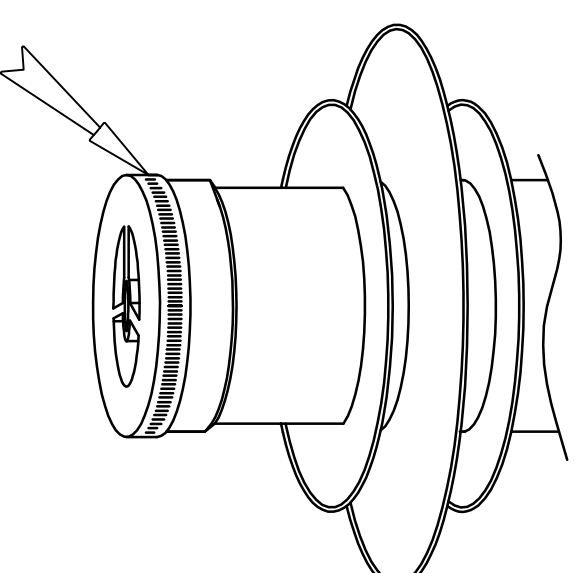
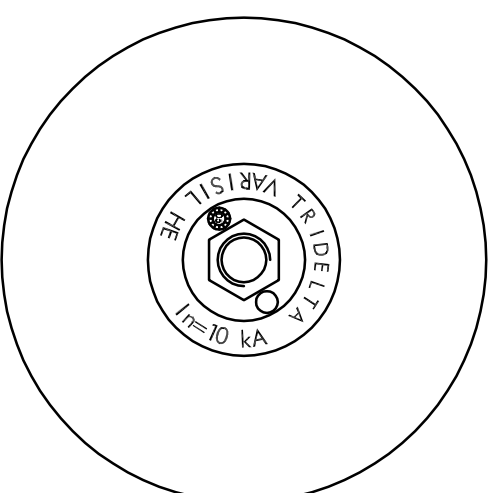


Ref.	DESCRIPTION	Material / Type
①	HM12-35 screw	Stainless steel
②	WZ12 spring washer	Stainless steel
③	Connecting clamp [ x 2 ]	Stainless steel
④	VARISIL Type HE surge arrester	Silicone rubber housed gqglass metal oxide Fiberglass reinforced thermosetting resin
⑤	Insulating bracket with built-in disconnecter	Stainless steel
⑥	Hm12 nut [ x 2 ]	Stainless steel
⑦	L12 flat washer	Stainless steel



" XX "	05	06	09	10	12	15	18	21	24	27	30	33	36	36/R
" U <sub>r</sub> "	5	6	9	10	12	15	18	21	24	27	30	33	36	36
" U <sub>c</sub> "	4.25	5.1	7.65	8.4	10.2	12.7	15.3	17.5	20	22.5	25	27.5	30	30
" DD/MM/YY "	Day/Month/Year of manufacture													
H (mm)	205													
Ø1 (mm)	74													
Ø2 (mm)	104													
Weight (kg)	1.4	1.4	1.6	1.6	1.7	2.1	2.2	2.5	2.6	3.1	3.2	3.4	3.5	3.8
	325													
	84													
	114													
	365													



HEXX - U<sub>r</sub>= \_ \_ kV - U<sub>c</sub>= \_ \_ kV - LDC1 - I<sub>s</sub>=20 kA - f=50/60 Hz \_ \_ DD/MM/YY

Accessibilité du plan: Confidentiel..... <input type="checkbox"/> Libre..... <input checked="" type="checkbox"/>		Modification: _____ Dessinateur: _____ Date: _____ Vérification: _____	
Ce plan est propriété de TRIDELTA Parafoudres SA. Il ne peut être ni reproduit ni communiqué sans autorisation préalable.			
Tolérances générales: Matière: Traitement:		Echelle: _____ Dessinateur: HS Date: 27/09/05 Vérification: _____	
Range of VARISIL Type HE Polymer Housed Surge Arresters fitted with S3D2 option			
A3	TPF	W 8997 13 99/E	Folio : 1 / 1 Ind : 03